

---

## HALOPAR 38

Halogen lamps with parabolic reflector PAR38, with screw base



---

### Areas of application

- General illumination
- Object lighting
- Accent lighting

---

### Product benefits

- With whole glass reflector for brilliant lighting effects
- Instant 100 % light, no warm-up time
- Approved for use in open luminaires (to IEC 60598-1)
- Suitable for outdoor applications in approved luminaires
- Contains no mercury
- UV filter

---

### Product features

- Average life: 2,000 h
- 100 % dimmable
- Perfect color rendering ( $R_a: 100$ )
- Base: E27

# Product family datasheet

## Technical data

Product description	Electrical data				Photometrical data			Light technical data		
	Nominal wattage	Nominal voltage	Rated wattage	Power factor $\lambda$	Rated luminous flux	Color temperature	Color rendering index Ra	Nominal luminous flux	Beam angle	Starting time
HALOPAR 38 50 W 240 V 30° E27 <sup>1)</sup>	50.0 W	220...240 V	50.00 W	1.00		2700 K	100		30 °	0.0 s
HALOPAR 38 75 W 240 V 12° E27 <sup>1)</sup>	75.0 W	220...240 V	75.00 W	1.00		2800 K	100		12 °	0.0 s
HALOPAR 38 75 W 240 V 30° E27 <sup>1)</sup>	75.0 W	220...240 V	75.00 W	1.00	580 lm	2800 K	100	580 lm	30 °	0.0 s
HALOPAR 38 100 W 240 V 30° E27 <sup>1)</sup>	100 W	220...240 V	100.00 W	1.00		2900 K	100		30 °	0.0 s

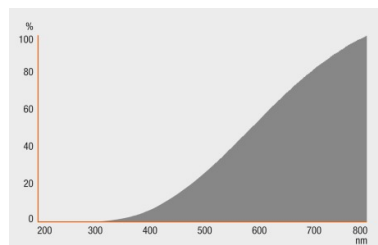
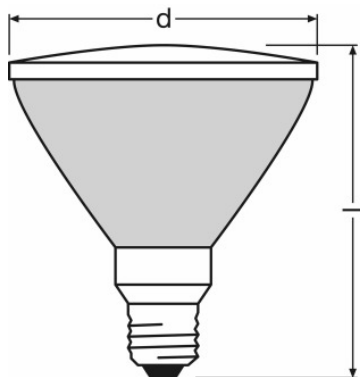
Product description	Warm-up time (60 %)	Dimensions & weight		Lifespan			Additional product data		
		Diameter	Overall length	Nominal lamp life time	Rated lamp life time	Number of switching cycles	Lumen main. fact. at end of nom. life time	Base (standard designation)	Lamp mercury content
HALOPAR 38 50 W 240 V 30° E27 <sup>1)</sup>	0.00 s	123.0 mm	139.0 mm	2000 h	2000 h	50000 <sup>2)</sup>	0.75	E27	0.0 mg
HALOPAR 38 75 W 240 V 12° E27 <sup>1)</sup>	0.00 s	123.0 mm	139.0 mm	2000 h	2000 h	50000 <sup>2)</sup>	0.75	E27	0.0 mg
HALOPAR 38 75 W 240 V 30° E27 <sup>1)</sup>	0.00 s	123.0 mm	139.0 mm	2000 h	2000 h	50000 <sup>2)</sup>	0.75	E27	0.0 mg
HALOPAR 38 100 W 240 V 30° E27 <sup>1)</sup>	0.00 s	123.0 mm	134.0 mm	2000 h	2000 h	50000 <sup>2)</sup>	0.75	E27	0.0 mg

Product description	Mercury-free	Capabilities		Certificates & standards		Country specific categorizations
		Burning position	Dimmable	Energy efficiency class	Energy consumption	ILCOS
HALOPAR 38 50 W 240 V 30° E27 <sup>1)</sup>	Yes	Any	Yes	D	50 kWh/1000h	HAGS/UB-50-240-E27-123/30
HALOPAR 38 75 W 240 V 12° E27 <sup>1)</sup>	Yes	Any	Yes	D	75 kWh/1000h	HAGS/UB-75-240-E27-123/12
HALOPAR 38 75 W 240 V 30° E27 <sup>1)</sup>	Yes	Any	Yes	D	75 kWh/1000h	HAGS/UB-75-240-E27-123/30
HALOPAR 38 100 W 240 V 30° E27 <sup>1)</sup>	Yes	Any	Yes	D	100 kWh/1000h	HAGS/UB-100-240-E27-123/30

<sup>1)</sup> Banned from 1.9.2016 as per EU phase-out plan

<sup>2)</sup> At 1 min on / 3 min off

## Product family datasheet



HALOPAR 38 50 W 240 V 30° E27,  
 HALOPAR 38 75 W 240 V 12° E27,  
 HALOPAR 38 75 W 240 V 30° E27,  
 HALOPAR 38 100 W 240 V 30° E27

HALOPAR 38 50 W 240 V 30° E27,  
 HALOPAR 38 75 W 240 V 12° E27,  
 HALOPAR 38 75 W 240 V 30° E27,  
 HALOPAR 38 100 W 240 V 30° E27

### Application advice

For more detailed application information and graphics please see product datasheet.

### Logistical Data

Product code	Product description	Packaging unit (Pieces/Unit)	Dimensions (length x width x height)	Volume	Gross weight
4008321380364	HALOPAR 38 50 W 240 V 30° E27	Shipping carton box 12	477 mm x 172 mm x 481 mm	39.46 dm <sup>3</sup>	5482.00 g

## Product family datasheet

Product code	Product description	Packaging unit (Pieces/Unit)	Dimensions (length x width x height)	Volume	Gross weight
4008321380401	HALOPAR 38 75 W 240 V 12° E27	Shipping carton box 12	477 mm x 172 mm x 362 mm	29.70 dm <sup>3</sup>	5482.00 g
4008321380340	HALOPAR 38 75 W 240 V 30° E27	Shipping carton box 12	477 mm x 172 mm x 362 mm	29.70 dm <sup>3</sup>	5482.00 g
4008321372062	HALOPAR 38 100 W 240 V 30° E27	Shipping carton box 12	477 mm x 172 mm x 362 mm	29.70 dm <sup>3</sup>	5482.00 g

The mentioned product code describes the smallest quantity unit which can be ordered. One shipping unit can contain one or more single products. When placing an order, for the quantity please enter single or multiples of a shipping unit.

---

### References / Links

For light distribution curves see

▶ [www.osram.com](http://www.osram.com)

---

### Disclaimer

Subject to change without notice. Errors and omission excepted. Always make sure to use the most recent release.