

---

## DECOSTAR 51S Standard

Halogen dichroic reflector lamps with 51 mm diameter and glass panel



---

### Areas of application

- General illumination
- Entrance lighting
- Workplace lighting
- Kitchen lighting
- Mirror lighting
- Object lighting

---

### Product benefits

- Brilliant accent light
- Dichroic reflector reduces the heat in the light beam by up to 66 %
- Approved for use in open luminaires (to IEC 60598-1)
- UV filter
- Contains no mercury

---

### Product features

- Average life: 2,000 h
- 100 % dimmable
- Color rendering index  $R_a$ : 100
- Diameter: 51 mm

# Product family datasheet

## Technical data

Product description	Electrical data				Photometrical data		Light technical data			Dimensions & weight	
	Nominal wattage	Nominal voltage	Rated wattage	Power factor $\lambda$	Color temperature	Color rendering index Ra	Beam angle	Starting time	Warm-up time (60 %)	Diameter	Overall length
DECOSTAR 51S 20 W 12 V 10° GU5.3	20.0 W	12.0 V	20.00 W	1.00	3000 K	100	10 °	0.0 s	0.00 s	51.0 mm	45.0 mm
DECOSTAR 51S 20 W 12 V 36° GU5.3	20.0 W	12.0 V	20.00 W	1.00	3000 K	100	36 °	0.0 s	0.00 s	51.0 mm	45.0 mm
DECOSTAR 51S 35 W 12 V 10° GU5.3	35.0 W	12.0 V	35.00 W	1.00	2900 K	100	10 °	0.0 s	0.00 s	51.0 mm	46.0 mm
DECOSTAR 51S 35 W 12 V 36° GU5.3	35.0 W	12.0 V	35.00 W	1.00	2900 K	100	36 °	0.0 s	0.00 s	51.0 mm	46.0 mm
DECOSTAR 51S 35 W 12 V GU5.3	35.0 W	12.0 V	35.00 W		2900 K	100	36 °	0.0 s		51.0 mm	46.0 mm
DECOSTAR 51S 50 W 12 V 10° GU5.3	50.0 W	12.0 V	50.00 W	1.00	3000 K	100	10 °	0.0 s	0.00 s	51.0 mm	46.0 mm
DECOSTAR 51S 50 W 12 V 24° GU5.3	50.0 W	12.0 V	50.00 W	1.00	2950 K	100	24 °	0.0 s	0.00 s	51.0 mm	46.0 mm
DECOSTAR 51S 50 W 12 V 36° GU5.3	50.0 W	12.0 V	50.00 W	1.00	2950 K	100	36 °	0.0 s	0.00 s	51.0 mm	46.0 mm
DECOSTAR 51S 50 W 12 V 60° GU5.3	50.0 W	12.0 V	50.00 W	1.00	3000 K	100	60 °	0.0 s	0.00 s	51.0 mm	46.0 mm
DECOSTAR 51S 50 W 12 V 60° GU5.3	50.0 W	12.0 V	50.00 W		2900 K	100	60 °	0.0 s		51.0 mm	46.0 mm

Product description	Lifespan				Additional product data			Capabilities	
	Nominal lamp life time	Rated lamp life time	Number of switching cycles	Lumen main. fact. at end of nom. life time	Base (standard designation)	Lamp mercury content	Mercury-free	Burning position	Dimmable
DECOSTAR 51S 20 W 12 V 10° GU5.3	2000 h	2000 h	50000 <sup>1)</sup>	0.75	GU5.3	0.0 mg	Yes	Any	Yes
DECOSTAR 51S 20 W 12 V 36° GU5.3	1000 h	1000 h	50000 <sup>1)</sup>	0.75	GU5.3	0.0 mg	Yes	Any	Yes
DECOSTAR 51S 35 W 12 V 10° GU5.3	2000 h	3000 h	50000 <sup>1)</sup>	0.75	GU5.3	0.0 mg	Yes	Any	Yes
DECOSTAR 51S 35 W 12 V 36° GU5.3	2000 h	3000 h	50000 <sup>1)</sup>	0.75	GU5.3	0.0 mg	Yes	Any	Yes
DECOSTAR 51S 35 W 12 V GU5.3	2000 h	2000 h	1000000 <sup>1)</sup>		GU5.3	0.0 mg	Yes	Any	Yes
DECOSTAR 51S 50 W 12 V 10° GU5.3	2000 h	3000 h	50000 <sup>1)</sup>	0.75	GU5.3	0.0 mg	Yes	Any	Yes
DECOSTAR 51S 50 W 12 V 24° GU5.3	2000 h	2000 h	50000 <sup>1)</sup>	0.75	GU5.3	0.0 mg	Yes	Any	Yes
DECOSTAR 51S 50 W 12 V 36° GU5.3	2000 h	2000 h	50000 <sup>1)</sup>	0.75	GU5.3	0.0 mg	Yes	Any	Yes
DECOSTAR 51S 50 W 12 V 60° GU5.3	2000 h	3000 h	50000 <sup>1)</sup>	0.75	GU5.3	0.0 mg	Yes	Any	Yes

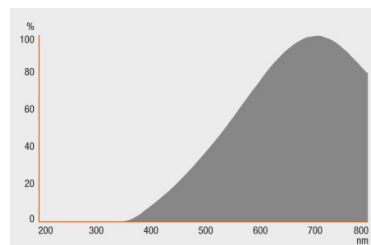
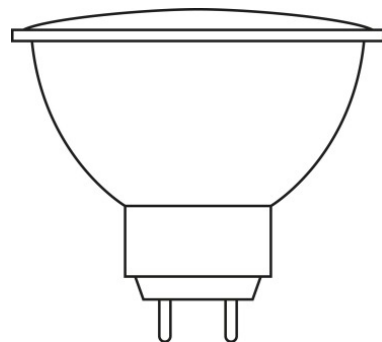
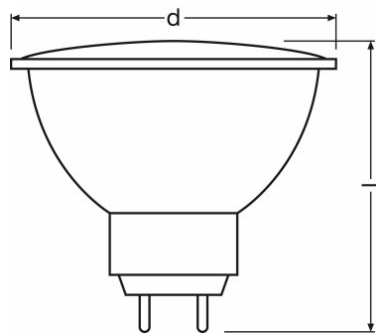
## Product family datasheet

Product description	Lifespan				Additional product data			Capabilities	
	Nominal lamp life time	Rated lamp life time	Number of switching cycles	Lumen main. fact. at end of nom. life time	Base (standard designation)	Lamp mercury content	Mercury-free	Burning position	Dimmable
DECOSTAR 51S 50 W 12 V 60° GU5.3	2000 h	2000 h			GU5.3		Yes	Any	Yes

Product description	Certificates & standards		Country specific categorizations
	Energy efficiency class	Energy consumption	ILCOS
DECOSTAR 51S 20 W 12 V 10° GU5.3	B	22 kWh/1000h	HRGS//UB-20-12-GU5.3-51/10
DECOSTAR 51S 20 W 12 V 36° GU5.3	B	22 kWh/1000h	HRGS//UB-20-12-GU5.3-51/36
DECOSTAR 51S 35 W 12 V 10° GU5.3	B	38 kWh/1000h	HRGS//UB-35-12-GU5.3-51/10
DECOSTAR 51S 35 W 12 V 36° GU5.3	B	38 kWh/1000h	HRGS//UB-35-12-GU5.3-51/36
DECOSTAR 51S 35 W 12 V GU5.3			HRGS//UB-35-12-GU5.3-51/36
DECOSTAR 51S 50 W 12 V 10° GU5.3	B	53 kWh/1000h	HRGS//UB-50-12-GU5.3-51/10
DECOSTAR 51S 50 W 12 V 24° GU5.3	B	53 kWh/1000h	HRGS//UB-50-12-GU5.3-51/24
DECOSTAR 51S 50 W 12 V 36° GU5.3	B	53 kWh/1000h	HRGS//UB-50-12-GU5.3-51/36
DECOSTAR 51S 50 W 12 V 60° GU5.3	B	53 kWh/1000h	HRGS//UB-50-12-GU5.3-51/60
DECOSTAR 51S 50 W 12 V 60° GU5.3			

<sup>1)</sup> At 1 min on / 3 min off

## Product family datasheet



DECOSTAR 51S 20 W 12 V 10° GU5.3,  
DECOSTAR 51S 20 W 12 V 36° GU5.3,  
DECOSTAR 51S 35 W 12 V 10° GU5.3,  
DECOSTAR 51S 35 W 12 V 36° GU5.3,  
DECOSTAR 51S 50 W 12 V 10° GU5.3,  
DECOSTAR 51S 50 W 12 V 24° GU5.3,  
DECOSTAR 51S 50 W 12 V 36° GU5.3,  
DECOSTAR 51S 50 W 12 V 60° GU5.3,  
DECOSTAR 51S 50 W 12 V 60° GU5.3

DECOSTAR 51S 35 W 12 V GU5.3

DECOSTAR 51S 20 W 12 V 10° GU5.3,  
DECOSTAR 51S 20 W 12 V 36° GU5.3,  
DECOSTAR 51S 35 W 12 V 10° GU5.3,  
DECOSTAR 51S 35 W 12 V 36° GU5.3,  
DECOSTAR 51S 35 W 12 V 36° GU5.3,  
DECOSTAR 51S 50 W 12 V 10° GU5.3,  
DECOSTAR 51S 50 W 12 V 24° GU5.3,  
DECOSTAR 51S 50 W 12 V 36° GU5.3,  
DECOSTAR 51S 50 W 12 V 36° GU5.3,  
DECOSTAR 51S 50 W 12 V 60° GU5.3

### Application advice

For more detailed application information and graphics please see product datasheet.

### Logistical Data

## Product family datasheet

Product code	Product description	Packaging unit (Pieces/Unit)	Dimensions (length x width x height)	Volume	Gross weight
4050300272474	DECOSTAR 51S 20 W 12 V 10° GU5.3	Shipping carton box 20	163 mm x 123 mm x 190 mm	3.81 dm <sup>3</sup>	896.00 g
4050300272511	DECOSTAR 51S 20 W 12 V 36° GU5.3	Shipping carton box 20	202 mm x 124 mm x 147 mm	3.68 dm <sup>3</sup>	856.00 g
4050300272511	DECOSTAR 51S 20 W 12 V 36° GU5.3	Shipping carton box 60	290 mm x 135 mm x 245 mm	9.59 dm <sup>3</sup>	2578.00 g
4050300272511	DECOSTAR 51S 20 W 12 V 36° GU5.3	Shipping carton box 60	290 mm x 245 mm x 135 mm	9.59 dm <sup>3</sup>	1450.00 g
4050300272559	DECOSTAR 51S 35 W 12 V 10° GU5.3	Shipping carton box 20	208 mm x 124 mm x 142 mm	3.66 dm <sup>3</sup>	858.00 g
4050300272634	DECOSTAR 51S 35 W 12 V 36° GU5.3	Shipping carton box 20	201 mm x 123 mm x 148 mm	3.66 dm <sup>3</sup>	856.12 g
4052899044630	DECOSTAR 51S 35 W 12 V GU5.3	Shipping carton box 300	481 mm x 306 mm x 321 mm	47.25 dm <sup>3</sup>	12095.00 g
4050300272672	DECOSTAR 51S 50 W 12 V 10° GU5.3	Shipping carton box 20	238 mm x 122 mm x 109 mm	3.16 dm <sup>3</sup>	878.00 g
4050300272719	DECOSTAR 51S 50 W 12 V 24° GU5.3	Shipping carton box 20	238 mm x 121 mm x 108 mm	3.11 dm <sup>3</sup>	836.00 g
4050300272795	DECOSTAR 51S 50 W 12 V 36° GU5.3	Shipping carton box 20	192 mm x 122 mm x 157 mm	3.68 dm <sup>3</sup>	856.00 g
4050300272795	DECOSTAR 51S 50 W 12 V 36° GU5.3	Shipping carton box 20	106 mm x 127 mm x 244 mm	3.28 dm <sup>3</sup>	940.00 g
4050300272795	DECOSTAR 51S 50 W 12 V 36° GU5.3	Shipping carton box 60	290 mm x 135 mm x 245 mm	9.59 dm <sup>3</sup>	2578.00 g
4050300272832	DECOSTAR 51S 50 W 12 V 60° GU5.3	Shipping carton box 20	214 mm x 122 mm x 123 mm	3.21 dm <sup>3</sup>	836.00 g
4050300857770	DECOSTAR 51S 50 W 12 V 60° GU5.3	Shipping carton box 300	475 mm x 295 mm x 314 mm	44.00 dm <sup>3</sup>	12155.00 g

## Product family datasheet

Product code	Product description	Packaging unit (Pieces/Unit)	Dimensions (length x width x height)	Volume	Gross weight
--------------	---------------------	------------------------------	--------------------------------------	--------	--------------

The mentioned product code describes the smallest quantity unit which can be ordered. One shipping unit can contain one or more single products. When placing an order, for the quantity please enter single or multiples of a shipping unit.

---

### References / Links

For light distribution curves see

▶ [www.osram.com](http://www.osram.com)

---

### Disclaimer

Subject to change without notice. Errors and omission excepted. Always make sure to use the most recent release.