

---

## DECOSTAR 51 SUPERSTAR 4000

Halogen dichroic reflector lamps with 51 mm diameter



---

### Areas of application

- General illumination
- Kitchen lighting
- Dining table lighting
- Mirror lighting
- Workplace lighting
- Shops
- Restaurants, hotels and similar prestigious applications

---

### Product benefits

- Up to 30 % energy savings through IRC technology (comp. with conv. halogen lamps)
- Brilliant accent lighting
- Significantly lower CO<sub>2</sub> emissions compared to standard version
- Constant luminous intensity and constant color location throughout the lifetime
- Approved for use in open luminaires (to IEC 60598-1)
- UV filter

---

### Product features

- Average life: 4,000 h
- 100 % dimmable
- Color rendering index R<sub>a</sub>: 100
- Base: GU5.3

# Product family datasheet

## Technical data

Product description	Electrical data					Photometrical data		Light technical data		
	Nominal wattage	Nominal voltage	Rated wattage	Claimed equiv. conventional lamp power	Power factor $\lambda$	Color temperature	Color rendering index Ra	Beam angle	Starting time	Warm-up time (60 %)
DECOSTAR 51 SST 4000 14 W 12 V 36° GU5.3	14.0 W	12.0 V	14.00 W	20 W	1.00	2800 K	100	36 °	0.0 s	0.00 s
DECOSTAR 51 SST 4000 25 W 12 V 36° GU5.3	25.0 W	12.0 V	25.00 W	35 W	1.00	2900 K	100	36 °	0.0 s	0.00 s
DECOSTAR 51 SST 4000 35 W 12 V 36° GU5.3	35.0 W	12.0 V	35.00 W	50 W	1.00	3000 K	100	36 °	0.0 s	0.00 s

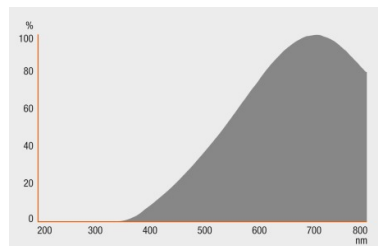
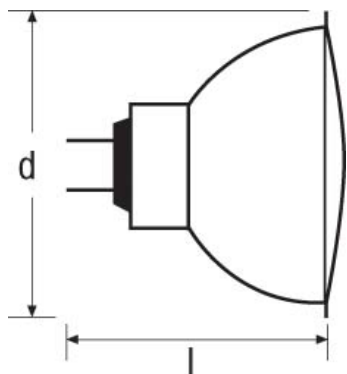
Product description	Dimensions & weight		Lifespan				Additional product data			Capabilities
	Diameter	Overall length	Nominal lamp life time	Rated lamp life time	Number of switching cycles	Lumen main. fact. at end of nom. life time	Base (standard designation)	Lamp mercury content	Mercury-free	Burning position
DECOSTAR 51 SST 4000 14 W 12 V 36° GU5.3	50.7 mm	45.0 mm	4000 h	4000 h	100000 <sup>1)</sup>	0.75	GU5.3	0.0 mg	Yes	Any
DECOSTAR 51 SST 4000 25 W 12 V 36° GU5.3	50.7 mm	45.0 mm	4000 h	4000 h	100000 <sup>1)</sup>	0.75	GU5.3	0.0 mg	Yes	Any
DECOSTAR 51 SST 4000 35 W 12 V 36° GU5.3	50.7 mm	45.0 mm	4000 h	4000 h	100000 <sup>1)</sup>	0.75	GU5.3	0.0 mg	Yes	Any

Product description	Dimmable	Certificates & standards		Country specific categorizations
		Energy efficiency class	Energy consumption	ILCOS
DECOSTAR 51 SST 4000 14 W 12 V 36° GU5.3	Yes	B	15 kWh/1000h	HRGS//UB-14-12-GU5.3-51/36

# Product family datasheet

Product description	Dimmable	Certificates & standards		Country specific categorizations
		Energy efficiency class	Energy consumption	ILCOS
DECOSTAR 51 SST 4000 25 W 12 V 36° GU5.3	Yes	B	27 kWh/1000h	HRGS//UBIB-25-12-GU5.3-51/36
DECOSTAR 51 SST 4000 35 W 12 V 36° GU5.3	Yes	B	38 kWh/1000h	HRGS//UB-35-12-GU5.3-51/36

1) At 1 min on / 3 min off



DECOSTAR 51 SST 4000 14 W 12 V 36° GU5.3, DECOSTAR 51 SST 4000 25 W 12 V 36° GU5.3, DECOSTAR 51 SST 4000 35 W 12 V 36° GU5.3

DECOSTAR 51 SST 4000 14 W 12 V 36° GU5.3, DECOSTAR 51 SST 4000 25 W 12 V 36° GU5.3, DECOSTAR 51 SST 4000 35 W 12 V 36° GU5.3

## Application advice

## Product family datasheet

For more detailed application information and graphics please see product datasheet.

---

### Logistical Data

Product code	Product description	Packaging unit (Pieces/Unit)	Dimensions (length x width x height)	Volume	Gross weight
4008321931863	DECOSTAR 51 SST 4000 14 W 12 V 36° GU5.3	Shipping carton box 10	290 mm x 134 mm x 254 mm	9.87 dm <sup>3</sup>	625.46 g
4008321202734	DECOSTAR 51 SST 4000 25 W 12 V 36° GU5.3	Shipping carton box 10	290 mm x 134 mm x 254 mm	9.87 dm <sup>3</sup>	612.24 g
4008321202710	DECOSTAR 51 SST 4000 35 W 12 V 36° GU5.3	Shipping carton box 10	290 mm x 134 mm x 254 mm	9.87 dm <sup>3</sup>	596.10 g

The mentioned product code describes the smallest quantity unit which can be ordered. One shipping unit can contain one or more single products. When placing an order, for the quantity please enter single or multiples of a shipping unit.

---

### References / Links

For light distribution curves see

▶ [www.osram.com](http://www.osram.com)

---

### Disclaimer

Subject to change without notice. Errors and omission excepted. Always make sure to use the most recent release.