
DECOSTAR 51 Standard

Halogen dichroic reflector lamps with 51 mm diameter



Areas of application

- General illumination
- Workplace lighting
- Kitchen lighting
- Mirror lighting
- Object lighting
- Shops
- Restaurants, hotels and similar prestigious applications

Product benefits

- Brilliant accent light
- Dichroic reflector reduces the heat in the light beam by up to 66 %
- Low-pressure discharge vessel for use in open luminaires to IEC 2-3
- UV filter
- Contains no mercury

Product features

- Average life: 2,000 h
- 100 % dimmable
- Color rendering index R_a : 100
- Diameter: 51 mm

Product family datasheet

Technical data

Product description	Electrical data				Photometrical data		Light technical data			Dimensions & weight	
	Nominal wattage	Nominal voltage	Rated wattage	Power factor λ	Color temperature	Color rendering index Ra	Beam angle	Starting time	Warm-up time (60 %)	Diameter	Overall length
DECOSTAR 51 20 W 12 V 10° GU5.3	20.0 W	12.0 V	20.00 W	1.00	2800 K	100	10 °	0.0 s	0.00 s	51.0 mm	46.0 mm
DECOSTAR 51 20 W 12 V 36° GU5.3	20.0 W	12.0 V	20.00 W	1.00	2800 K	100	36 °	0.0 s	0.00 s	51.0 mm	46.0 mm
DECOSTAR 51 35 W 12 V 10° GU5.3	35.0 W	12.0 V	35.00 W	1.00	2900 K	100	10 °	0.0 s	0.00 s	51.0 mm	46.0 mm
DECOSTAR 51 35 W 12 V 36° GU5.3	35.0 W	12.0 V	35.00 W	1.00	2900 K	100	36 °	0.0 s	0.00 s	51.0 mm	46.0 mm
DECOSTAR 51 35 W 12 V GU5.3	35.0 W	12.0 V	35.00 W	1.00	2900 K	100	36 °	0.0 s	0.00 s	51.0 mm	46.0 mm
DECOSTAR 51 50 W 12 V 10° GU5.3	50.0 W	12.0 V	50.00 W	1.00	2950 K	100	10 °	0.0 s	0.00 s	51.0 mm	46.0 mm
DECOSTAR 51 50 W 12 V 24° GU5.3	50.0 W	12.0 V	50.00 W	1.00	3000 K	100	24 °	0.0 s	0.00 s	51.0 mm	46.0 mm
DECOSTAR 51 50 W 12 V 36° GU5.3	50.0 W	12.0 V	50.00 W	1.00	3000 K	100	36 °	0.0 s	0.00 s	51.0 mm	46.0 mm

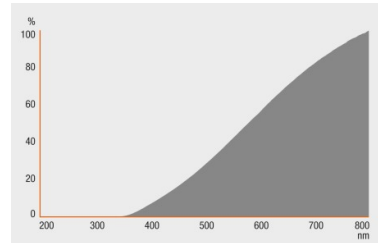
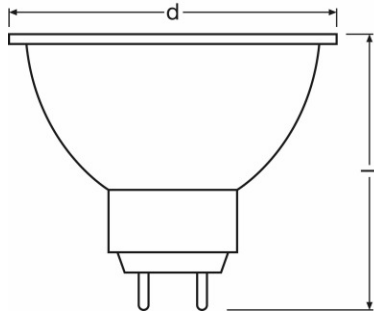
Product description	Lifespan				Additional product data			Capabilities	
	Nominal lamp life time	Rated lamp life time	Number of switching cycles	Lumen main. fact. at end of nom. life time	Base (standard designation)	Lamp mercury content	Mercury-free	Burning position	Dimmable
DECOSTAR 51 20 W 12 V 10° GU5.3	2000 h	2000 h	50000 ¹⁾	0.75	GU5.3	0.0 mg	Yes	Any	Yes
DECOSTAR 51 20 W 12 V 36° GU5.3	2000 h	2000 h	50000 ¹⁾	0.75	GU5.3	0.0 mg	Yes	Any	Yes
DECOSTAR 51 35 W 12 V 10° GU5.3	2000 h	3000 h	50000 ¹⁾	0.75	GU5.3	0.0 mg	Yes	Any	Yes
DECOSTAR 51 35 W 12 V 36° GU5.3	2000 h	3000 h	50000 ¹⁾	0.75	GU5.3	0.0 mg	Yes	Any	Yes
DECOSTAR 51 35 W 12 V GU5.3	2000 h	2000 h	50000 ¹⁾	0.75	GU5.3	0.0 mg	Yes	Any	Yes
DECOSTAR 51 50 W 12 V 10° GU5.3	2000 h	3000 h	50000 ¹⁾	0.75	GU5.3	0.0 mg	Yes	Any	Yes
DECOSTAR 51 50 W 12 V 24° GU5.3	2000 h	3000 h	50000 ¹⁾	0.75	GU5.3	0.0 mg	Yes	Any	Yes
DECOSTAR 51 50 W 12 V 36° GU5.3	2000 h	3000 h	50000 ¹⁾	0.75	GU5.3	0.0 mg	Yes	Any	Yes

Product family datasheet

Product description	Certificates & standards		Country specific categorizations
	Energy efficiency class	Energy consumption	ILCOS
DECOSTAR 51 20 W 12 V 10° GU5.3	B	22 kWh/1000h	HRGS//UB-20-12-GU5.3-51/10
DECOSTAR 51 20 W 12 V 36° GU5.3	B	22 kWh/1000h	HRGS//UB-20-12-GU5.3-51/36
DECOSTAR 51 35 W 12 V 10° GU5.3	B	38 kWh/1000h	HRGS//UB-35-12-GU5.3-51/10
DECOSTAR 51 35 W 12 V 36° GU5.3	B	38 kWh/1000h	HRGS//UB-35-12-GU5.3-51/36
DECOSTAR 51 35 W 12 V GU5.3	B	38 kWh/1000h	HRGS//UB-35-12-GU5.3-51/36
DECOSTAR 51 50 W 12 V 10° GU5.3	B	53 kWh/1000h	HRGS//UB-50-12-GU5.3-51/10
DECOSTAR 51 50 W 12 V 24° GU5.3	B	53 kWh/1000h	HRGS//UB-50-12-GU5.3-51/24
DECOSTAR 51 50 W 12 V 36° GU5.3	B	53 kWh/1000h	HRGS//UB-50-12-GU5.3-51/36

¹⁾ At 1 min on / 3 min off

Product family datasheet



DECOSTAR 51 20 W 12 V 10° GU5.3,
DECOSTAR 51 20 W 12 V 36° GU5.3,
DECOSTAR 51 35 W 12 V 10° GU5.3,
DECOSTAR 51 35 W 12 V 36° GU5.3,
DECOSTAR 51 50 W 12 V 10° GU5.3,
DECOSTAR 51 50 W 12 V 24° GU5.3,
DECOSTAR 51 50 W 12 V 36° GU5.3

DECOSTAR 51 20 W 12 V 10° GU5.3,
DECOSTAR 51 20 W 12 V 36° GU5.3,
DECOSTAR 51 35 W 12 V 10° GU5.3,
DECOSTAR 51 35 W 12 V 36° GU5.3,
DECOSTAR 51 50 W 12 V 10° GU5.3,
DECOSTAR 51 50 W 12 V 24° GU5.3,
DECOSTAR 51 50 W 12 V 36° GU5.3

Application advice

For more detailed application information and graphics please see product datasheet.

Logistical Data

Product family datasheet

Product code	Product description	Packaging unit (Pieces/Unit)	Dimensions (length x width x height)	Volume	Gross weight
4050300012612	DECOSTAR 51 20 W 12 V 10° GU5.3	Shipping carton box 20	104 mm x 124 mm x 241 mm	3.11 dm ³	704.00 g
4050300012629	DECOSTAR 51 20 W 12 V 36° GU5.3	Shipping carton box 20	172 mm x 122 mm x 176 mm	3.69 dm ³	687.56 g
4050300026527	DECOSTAR 51 35 W 12 V 10° GU5.3	Shipping carton box 20	105 mm x 122 mm x 244 mm	3.13 dm ³	744.00 g
4050300026541	DECOSTAR 51 35 W 12 V 36° GU5.3	Shipping carton box 20	158 mm x 123 mm x 189 mm	3.67 dm ³	676.00 g
4008321281821	DECOSTAR 51 35 W 12 V GU5.3	Shipping carton box 100	238 mm x 194 mm x 317 mm	14.64 dm ³	3336.00 g
4008321388773	DECOSTAR 51 35 W 12 V GU5.3	Shipping carton box 300	432 mm x 357 mm x 599 mm	92.38 dm ³	11017.00 g
4050300012636	DECOSTAR 51 50 W 12 V 10° GU5.3	Shipping carton box 20	103 mm x 122 mm x 244 mm	3.07 dm ³	750.00 g
4050300012551	DECOSTAR 51 50 W 12 V 24° GU5.3	Shipping carton box 20	238 mm x 123 mm x 108 mm	3.16 dm ³	676.00 g
4050300012575	DECOSTAR 51 50 W 12 V 36° GU5.3	Shipping carton box 20	163 mm x 122 mm x 189 mm	3.76 dm ³	690.00 g

The mentioned product code describes the smallest quantity unit which can be ordered. One shipping unit can contain one or more single products. When placing an order, for the quantity please enter single or multiples of a shipping unit.

References / Links

For light distribution curves see

▶ www.osram.com

Product family datasheet

Disclaimer

Subject to change without notice. Errors and omission excepted. Always make sure to use the most recent release.