
DECOSTAR 51 PRO

Halogen dichroic reflector lamps with 51 mm diameter



Areas of application

- General illumination
- Kitchen lighting
- Dining table lighting
- Mirror lighting
- Workplace lighting
- Shops
- Restaurants, hotels and similar prestigious applications

Product benefits

- Brilliant accent lighting
- Significantly lower CO₂ emissions compared to standard version
- Constant luminous intensity and constant color location throughout the lifetime
- Approved for use in open luminaires (to IEC 60598-1)
- UV filter
- Contains no mercury

Product features

- Average life: 5,000 h
- 100 % dimmable
- Color rendering index R_a: 100
- Color temperature: 3,000 K
- Diameter: 51 mm

Product family datasheet

Technical data

Product description	Electrical data					Photometrical data		Light technical data		
	Nominal wattage	Nominal voltage	Rated wattage	Claimed equiv. conventional lamp power	Power factor λ	Color temperature	Color rendering index Ra	Beam angle	Starting time	Warm-up time (60 %)
DECOSTAR 51 PRO 14 W 12 V 10° GU5.3	14.0 W	12.0 V	14.00 W	20 W	1.00	3000 K	100	10 °	0.0 s	0.00 s
DECOSTAR 51 PRO 14 W 12 V 36° GU5.3	14.0 W	12.0 V	14.00 W	20 W	1.00	3000 K	100	36 °	0.0 s	0.00 s
DECOSTAR 51 PRO 20 W 12 V 10° GU5.3	20.0 W	12.0 V	20.00 W	35 W	1.00	3000 K	100	10 °	0.0 s	0.00 s
DECOSTAR 51 PRO 20 W 12 V 24° GU5.3	20.0 W	12.0 V	20.00 W	35 W	1.00	3000 K	100	24 °	0.0 s	0.00 s
DECOSTAR 51 PRO 20 W 12 V 36° GU5.3	20.0 W	12.0 V	20.00 W	35 W	1.00	3000 K	100	36 °	0.0 s	0.00 s
DECOSTAR 51 PRO 20 W 12 V 60° GU5.3	20.0 W	12.0 V	20.00 W	35 W	1.00	3000 K	100	60 °	0.0 s	0.00 s
DECOSTAR 51 PRO 35 W 12 V 10° GU5.3	35.0 W	12.0 V	35.00 W	50 W	1.00	3000 K	100	10 °	0.0 s	0.00 s
DECOSTAR 51 PRO 35 W 12 V 24° GU5.3	35.0 W	12.0 V	35.00 W	50 W	1.00	3000 K	100	24 °	0.0 s	0.00 s
DECOSTAR 51 PRO 35 W 12 V 36° GU5.3	35.0 W	12.0 V	35.00 W	50 W	1.00	3000 K	100	36 °	0.0 s	0.00 s
DECOSTAR 51 PRO 35 W 12 V 60° GU5.3	35.0 W	12.0 V	35.00 W	50 W	1.00	3000 K	100	60 °	0.0 s	0.00 s
DECOSTAR 51 PRO 50 W 12 V 10° GU5.3	50.0 W	12.0 V	50.00 W	75 W	1.00	3000 K	100	10 °	0.0 s	0.00 s
DECOSTAR 51 PRO 50 W 12 V 24° GU5.3	50.0 W	12.0 V	50.00 W	75 W	1.00	3000 K	100	24 °	0.0 s	0.00 s
DECOSTAR 51 PRO 50 W 12 V 36° GU5.3	50.0 W	12.0 V	50.00 W	75 W	1.00	3000 K	100	36 °	0.0 s	0.00 s

Product family datasheet

Product description	Electrical data					Photometrical data		Light technical data		
	Nominal wattage	Nominal voltage	Rated wattage	Claimed equiv. conventional lamp power	Power factor λ	Color temperature	Color rendering index Ra	Beam angle	Starting time	Warm-up time (60 %)
DECOSTAR 51 PRO 50 W 12 V 60° GU5.3	50.0 W	12.0 V	50.00 W	75 W	1.00	3000 K	100	60 °	0.0 s	0.00 s

Product description	Dimensions & weight		Lifespan				Additional product data			Capabilities
	Diameter	Overall length	Nominal lamp life time	Rated lamp life time	Number of switching cycles	Lumen main. fact. at end of nom. life time	Base (standard designation)	Lamp mercury content	Mercury-free	Burning position
DECOSTAR 51 PRO 14 W 12 V 10° GU5.3	50.7 mm	44.5 mm	5000 h	5000 h	125000 ¹⁾	0.75	GU5.3	0.0 mg	Yes	Any
DECOSTAR 51 PRO 14 W 12 V 36° GU5.3	50.7 mm	44.5 mm	5000 h	5000 h	125000 ¹⁾	0.75	GU5.3	0.0 mg	Yes	Any
DECOSTAR 51 PRO 20 W 12 V 10° GU5.3	51.0 mm	45.0 mm	5000 h	5000 h	125000 ¹⁾	0.75	GU5.3	0.0 mg	Yes	Any
DECOSTAR 51 PRO 20 W 12 V 24° GU5.3	51.0 mm	45.0 mm	5000 h	5000 h	125000 ¹⁾	0.75	GU5.3	0.0 mg	Yes	Any
DECOSTAR 51 PRO 20 W 12 V 36° GU5.3	51.0 mm	45.0 mm	5000 h	5000 h	125000 ¹⁾	0.75	GU5.3	0.0 mg	Yes	Any
DECOSTAR 51 PRO 20 W 12 V 60° GU5.3	51.0 mm	45.0 mm	5000 h	5000 h	125000 ¹⁾	0.75	GU5.3	0.0 mg	Yes	Any
DECOSTAR 51 PRO 35 W 12 V 10° GU5.3	50.0 mm	45.0 mm	5000 h	5000 h	125000 ¹⁾	0.75	GU5.3	0.0 mg	Yes	Any
DECOSTAR 51 PRO 35 W 12 V 24° GU5.3	51.0 mm	45.0 mm	5000 h	5000 h	125000 ¹⁾	0.75	GU5.3	0.0 mg	Yes	Any
DECOSTAR 51 PRO 35 W 12 V 36° GU5.3	51.0 mm	45.0 mm	5000 h	5000 h	125000 ¹⁾	0.75	GU5.3	0.0 mg	Yes	Any
DECOSTAR 51 PRO 35 W 12 V 60° GU5.3	51.0 mm	45.0 mm	5000 h	5000 h	125000 ¹⁾	0.75	GU5.3	0.0 mg	Yes	Any

Product family datasheet

Product description	Dimensions & weight		Lifespan				Additional product data			Capabilities
	Diameter	Overall length	Nominal lamp life time	Rated lamp life time	Number of switching cycles	Lumen main. fact. at end of nom. life time	Base (standard designation)	Lamp mercury content	Mercury-free	Burning position
DECOSTAR 51 PRO 50 W 12 V 10° GU5.3	51.0 mm	45.0 mm	5000 h	5000 h	125000 ¹⁾	0.75	GU5.3	0.0 mg	Yes	Any
DECOSTAR 51 PRO 50 W 12 V 24° GU5.3	51.0 mm	45.0 mm	5000 h	5000 h	125000 ¹⁾	0.75	GU5.3	0.0 mg	Yes	Any
DECOSTAR 51 PRO 50 W 12 V 36° GU5.3	51.0 mm	45.0 mm	5000 h	5000 h	125000 ¹⁾	0.75	GU5.3	0.0 mg	Yes	Any
DECOSTAR 51 PRO 50 W 12 V 60° GU5.3	51.0 mm	45.0 mm	5000 h	5000 h	125000 ¹⁾	0.75	GU5.3	0.0 mg	Yes	Any

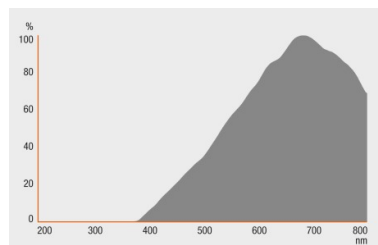
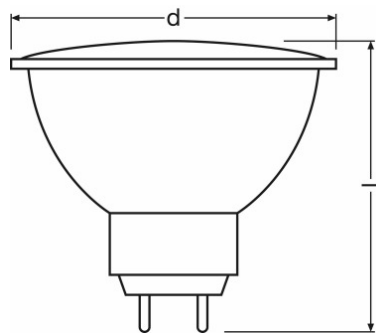
Product description	Dimmable	Certificates & standards		Country specific categorizations
		Energy efficiency class	Energy consumption	ILCOS
DECOSTAR 51 PRO 14 W 12 V 10° GU5.3	Yes	B	15 kWh/1000h	HRGS//UBIB-14-12-GU5.3-51/10
DECOSTAR 51 PRO 14 W 12 V 36° GU5.3	Yes	B	15 kWh/1000h	HRGS//UB-14-12-GU5.3-51/36
DECOSTAR 51 PRO 20 W 12 V 10° GU5.3	Yes	B	22 kWh/1000h	HRGS//UBIB-20-12-GU5.3-51/10
DECOSTAR 51 PRO 20 W 12 V 24° GU5.3	Yes	B	22 kWh/1000h	HRGS//UBIB-20-12-GU5.3-51/24
DECOSTAR 51 PRO 20 W 12 V 36° GU5.3	Yes	B	22 kWh/1000h	HRGS//UBIB-20-12-GU5.3-51/36
DECOSTAR 51 PRO 20 W 12 V 60° GU5.3	Yes	B	22 kWh/1000h	HRGS//UBIB-20-12-GU5.3-51/60
DECOSTAR 51 PRO 35 W 12 V 10° GU5.3	Yes	B	38 kWh/1000h	HRGS//UBIB-35-12-GU5.3-51/10

Product family datasheet

Product description	Dimmable	Certificates & standards		Country specific categorizations
		Energy efficiency class	Energy consumption	ILCOS
DECOSTAR 51 PRO 35 W 12 V 24° GU5.3	Yes	B	38 kWh/1000h	HRGS//UBIB-35-12-GU5.3-51/24
DECOSTAR 51 PRO 35 W 12 V 36° GU5.3	Yes	B	38 kWh/1000h	HRGS//UBIB-35-12-GU5.3-51/36
DECOSTAR 51 PRO 35 W 12 V 60° GU5.3	Yes	B	38 kWh/1000h	HRGS//UBIB-35-12-GU5.3-51/60
DECOSTAR 51 PRO 50 W 12 V 10° GU5.3	Yes	B	53 kWh/1000h	HRGS//UBIB-50-12-GU5.3-51/10
DECOSTAR 51 PRO 50 W 12 V 24° GU5.3	Yes	B	53 kWh/1000h	HRGS//UBIB-50-12-GU5.3-51/24
DECOSTAR 51 PRO 50 W 12 V 36° GU5.3	Yes	B	53 kWh/1000h	HRGS//UBIB-50-12-GU5.3-51/36
DECOSTAR 51 PRO 50 W 12 V 60° GU5.3	Yes	B	53 kWh/1000h	HRGS//UBIB-50-12-GU5.3-51/60

¹⁾ At 1 min on / 3 min off

Product family datasheet



DECOSTAR 51 PRO 14 W 12 V 10° GU5.3, DECOSTAR 51 PRO 14 W 12 V 36° GU5.3, DECOSTAR 51 PRO 20 W 12 V 10° GU5.3, DECOSTAR 51 PRO 20 W 12 V 24° GU5.3, DECOSTAR 51 PRO 20 W 12 V 36° GU5.3, DECOSTAR 51 PRO 20 W 12 V 60° GU5.3, DECOSTAR 51 PRO 35 W 12 V 10° GU5.3, DECOSTAR 51 PRO 35 W 12 V 24° GU5.3, DECOSTAR 51 PRO 35 W 12 V 36° GU5.3, DECOSTAR 51 PRO 35 W 12 V 60° GU5.3, DECOSTAR 51 PRO 50 W 12 V 10° GU5.3, DECOSTAR 51 PRO 50 W 12 V 24° GU5.3, DECOSTAR 51 PRO 50 W 12 V 36° GU5.3, DECOSTAR 51 PRO 50 W 12 V 60° GU5.3

DECOSTAR 51 PRO 14 W 12 V 10° GU5.3, DECOSTAR 51 PRO 14 W 12 V 36° GU5.3, DECOSTAR 51 PRO 20 W 12 V 10° GU5.3, DECOSTAR 51 PRO 20 W 12 V 24° GU5.3, DECOSTAR 51 PRO 20 W 12 V 36° GU5.3, DECOSTAR 51 PRO 20 W 12 V 60° GU5.3, DECOSTAR 51 PRO 35 W 12 V 10° GU5.3, DECOSTAR 51 PRO 35 W 12 V 24° GU5.3, DECOSTAR 51 PRO 35 W 12 V 36° GU5.3, DECOSTAR 51 PRO 35 W 12 V 60° GU5.3, DECOSTAR 51 PRO 50 W 12 V 10° GU5.3, DECOSTAR 51 PRO 50 W 12 V 24° GU5.3, DECOSTAR 51 PRO 50 W 12 V 36° GU5.3, DECOSTAR 51 PRO 50 W 12 V 60° GU5.3

Product family datasheet

Application advice

For more detailed application information and graphics please see product datasheet.

Logistical Data

Product code	Product description	Packaging unit (Pieces/Unit)	Dimensions (length x width x height)	Volume	Gross weight
4008321945020	DECOSTAR 51 PRO 14 W 12 V 10° GU5.3	Shipping carton box 20	107 mm x 122 mm x 240 mm	3.13 dm ³	876.00 g
4008321945044	DECOSTAR 51 PRO 14 W 12 V 36° GU5.3	Shipping carton box 20	238 mm x 122 mm x 108 mm	3.14 dm ³	876.00 g
4050300620169	DECOSTAR 51 PRO 20 W 12 V 10° GU5.3	Shipping carton box 20	238 mm x 122 mm x 123 mm	3.57 dm ³	836.00 g
4050300620183	DECOSTAR 51 PRO 20 W 12 V 24° GU5.3	Shipping carton box 20	238 mm x 119 mm x 106 mm	3.00 dm ³	836.00 g
4050300620206	DECOSTAR 51 PRO 20 W 12 V 36° GU5.3	Shipping carton box 20	238 mm x 119 mm x 106 mm	3.00 dm ³	836.00 g
4050300620220	DECOSTAR 51 PRO 20 W 12 V 60° GU5.3	Shipping carton box 20	105 mm x 122 mm x 244 mm	3.13 dm ³	836.00 g
4050300516592	DECOSTAR 51 PRO 35 W 12 V 10° GU5.3	Shipping carton box 20	140 mm x 123 mm x 208 mm	3.58 dm ³	836.00 g
4050300516615	DECOSTAR 51 PRO 35 W 12 V 24° GU5.3	Shipping carton box 20	238 mm x 119 mm x 106 mm	3.00 dm ³	836.00 g
4050300516639	DECOSTAR 51 PRO 35 W 12 V 36° GU5.3	Shipping carton box 20	238 mm x 122 mm x 106 mm	3.08 dm ³	836.00 g
4050300516653	DECOSTAR 51 PRO 35 W 12 V 60° GU5.3	Shipping carton box 20	238 mm x 124 mm x 106 mm	3.13 dm ³	836.00 g

Product family datasheet

Product code	Product description	Packaging unit (Pieces/Unit)	Dimensions (length x width x height)	Volume	Gross weight
4050300516677	DECOSTAR 51 PRO 50 W 12 V 10° GU5.3	Shipping carton box 20	238 mm x 122 mm x 109 mm	3.16 dm ³	836.00 g
4050300516691	DECOSTAR 51 PRO 50 W 12 V 24° GU5.3	Shipping carton box 20	238 mm x 122 mm x 123 mm	3.57 dm ³	836.00 g
4050300516714	DECOSTAR 51 PRO 50 W 12 V 36° GU5.3	Shipping carton box 20	238 mm x 122 mm x 123 mm	3.57 dm ³	836.00 g
4050300516738	DECOSTAR 51 PRO 50 W 12 V 60° GU5.3	Shipping carton box 20	238 mm x 126 mm x 109 mm	3.27 dm ³	836.00 g

The mentioned product code describes the smallest quantity unit which can be ordered. One shipping unit can contain one or more single products. When placing an order, for the quantity please enter single or multiples of a shipping unit.

References / Links

For light distribution curves see

▶ www.osram.com

Disclaimer

Subject to change without notice. Errors and omission excepted. Always make sure to use the most recent release.