
DECOSTAR 51 ALU

Halogen alu coated dichroic reflector lamps with 51 mm diameter



Areas of application

- General illumination
- Shops
- Restaurants, hotels and similar prestigious applications
- Offices, public buildings

Product benefits

- Brilliant accent light
- No light can escape at the back of the reflector
- Approved for use in open luminaires (to IEC 60598-1)
- UV filter
- Aluminum-coated reflector without a shield reduces thermal load in luminaire
- Reduced thermal load: ~60 % compared with aluminum-coated reflectors with shield
- Reduced thermal load: ~80 % compared with dichroic reflectors with shield
- Contains no mercury

Product features

- Average life: 2,000 h
- 100 % dimmable
- Color rendering index R_a : 100
- Diameter: 51 mm

Product family datasheet

Technical data

Product description	Electrical data				Photometrical data		Light technical data			Dimensions & weight	
	Nominal wattage	Nominal voltage	Rated wattage	Power factor λ	Color temperature	Color rendering index Ra	Beam angle	Starting time	Warm-up time (60 %)	Diameter	Overall length
DECOSTAR 51 ALU 20 W 12 V 36° GU5.3	20.0 W	12.0 V	20.00 W	1.00	2800 K	100	36 °	0.0 s	0.00 s	51.0 mm	46.0 mm
DECOSTAR 51 ALU 35 W 12 V 36° GU5.3	35.0 W	12.0 V	35.00 W	1.00	2900 K	100	36 °	0.0 s	0.00 s	51.0 mm	46.0 mm
DECOSTAR 51 ALU 50 W 12 V 36° GU5.3	50.0 W	12.0 V	50.00 W	1.00	2950 K	100	36 °	0.0 s	0.00 s	51.0 mm	46.0 mm

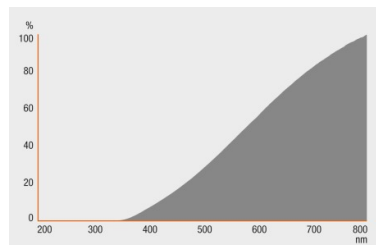
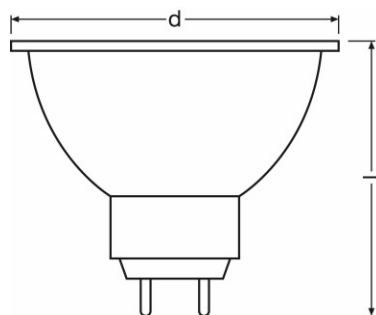
Product description	Lifespan				Additional product data			Capabilities	
	Nominal lamp life time	Rated lamp life time	Number of switching cycles	Lumen main. fact. at end of nom. life time	Base (standard designation)	Lamp mercury content	Mercury-free	Burning position	Dimmable
DECOSTAR 51 ALU 20 W 12 V 36° GU5.3	2000 h	2000 h	50000 ¹⁾	0.75	GU5.3	0.0 mg	Yes	Any	Yes
DECOSTAR 51 ALU 35 W 12 V 36° GU5.3	2000 h	2000 h	50000 ¹⁾	0.75	GU5.3	0.0 mg	Yes	Any	Yes
DECOSTAR 51 ALU 50 W 12 V 36° GU5.3	2000 h	2000 h	50000 ¹⁾	0.75	GU5.3	0.0 mg	Yes	Any	Yes

Product description	Certificates & standards		Country specific categorizations
	Energy efficiency class	Energy consumption	ILCOS
DECOSTAR 51 ALU 20 W 12 V 36° GU5.3	B	22 kWh/1000h	HAGS//UB-20-12-GU5.3-51/36
DECOSTAR 51 ALU 35 W 12 V 36° GU5.3	B	38 kWh/1000h	HAGS//UB-35-12-GU5.3-51/36

Product family datasheet

Product description	Certificates & standards		Country specific categorizations
	Energy efficiency class	Energy consumption	ILCOS
DECOSTAR 51 ALU 50 W 12 V 36° GU5.3	B	53 kWh/1000h	HAGS//UB-50-12-GU5.3-51/36

1) At 1 min on / 3 min off



DECOSTAR 51 ALU 20 W 12 V 36° GU5.3, DECOSTAR 51 ALU 35 W 12 V 36° GU5.3, DECOSTAR 51 ALU 50 W 12 V 36° GU5.3

DECOSTAR 51 ALU 20 W 12 V 36° GU5.3, DECOSTAR 51 ALU 35 W 12 V 36° GU5.3, DECOSTAR 51 ALU 50 W 12 V 36° GU5.3

Application advice

For more detailed application information and graphics please see product datasheet.

Product family datasheet

Logistical Data

Product code	Product description	Packaging unit (Pieces/Unit)	Dimensions (length x width x height)	Volume	Gross weight
4050300428819	DECOSTAR 51 ALU 20 W 12 V 36° GU5.3	Shipping carton box 20	238 mm x 122 mm x 123 mm	3.57 dm ³	686.00 g
4050300428833	DECOSTAR 51 ALU 35 W 12 V 36° GU5.3	Shipping carton box 20	140 mm x 124 mm x 210 mm	3.65 dm ³	688.00 g
4050300428857	DECOSTAR 51 ALU 50 W 12 V 36° GU5.3	Shipping carton box 20	172 mm x 122 mm x 174 mm	3.65 dm ³	690.00 g

The mentioned product code describes the smallest quantity unit which can be ordered. One shipping unit can contain one or more single products. When placing an order, for the quantity please enter single or multiples of a shipping unit.

References / Links

For light distribution curves see

▶ www.osram.com

Disclaimer

Subject to change without notice. Errors and omission excepted. Always make sure to use the most recent release.