
DECOPIN

Small size halogen lamps with aluminum reflector



Areas of application

- General illumination
- Workplace lighting
- Lighting for reading
- Mirror lighting
- Accent lighting

Product benefits

- Brilliant accent light
- Incredibly small dimensions for revolutionary new luminaire designs
- Elegant aluminum reflector with optimized faceting
- Robust filament design thanks to innovative, unique bulb pinch technology
- Approved for use in open luminaires (to IEC 60598-1)
- UV filter
- Complies with IEC 60432-2 thanks to integrated fuse function
- The lamp shuts down reliably
- Contains no mercury

Product features

- Average life: 2,000 h
- 100 % dimmable
- Color temperature: 2,700 K
- Color rendering index R_a : 100

Product family datasheet

Technical data

Product description	Electrical data				Photometrical data		Light technical data		Dimensions & weight	
	Nominal wattage	Nominal voltage	Rated wattage	Power factor λ	Color temperature	Color rendering index Ra	Starting time	Warm-up time (60 %)	Diameter	Overall length
DECOPIN 40 W 220...240 V 40° G9 ¹⁾	40.0 W	230 V	40.00 W	1.00	2700 K	100	0.0 s	0.00 s	41.5 mm	43.0 mm

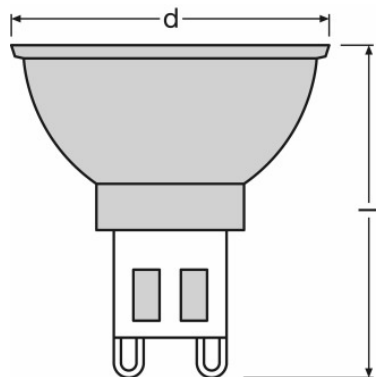
Product description	Lifespan				Additional product data			Capabilities	
	Nominal lamp life time	Rated lamp life time	Number of switching cycles	Lumen main. fact. at end of nom. life time	Base (standard designation)	Lamp mercury content	Mercury-free	Burning position	Dimmable
DECOPIN 40 W 220...240 V 40° G9 ¹⁾	2000 h	2000 h	50000 ²⁾	0.75	G9	0.0 mg	Yes	Any	Yes

Product description	Certificates & standards		Country specific categorizations
	Energy efficiency class	Energy consumption	ILCOS
DECOPIN 40 W 220...240 V 40° G9 ¹⁾	D	40 kWh/1000h	HMGS//UB-40-230-G9-42/40

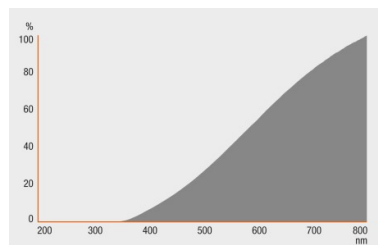
¹⁾ Banned from 1.9.2016 as per EU phase-out plan

²⁾ At 1 min on / 3 min off

Product family datasheet



DECOPIN 40 W 220...240 V 40° G9



DECOPIN 40 W 220...240 V 40° G9

Application advice

For more detailed application information and graphics please see product datasheet.

Logistical Data

Product code	Product description	Packaging unit (Pieces/Unit)	Dimensions (length x width x height)	Volume	Gross weight
4008321907189	DECOPIN 40 W 220...240 V 40° G9	Shipping carton box 20	208 mm x 124 mm x 96 mm	2.48 dm ³	310.00 g

The mentioned product code describes the smallest quantity unit which can be ordered. One shipping unit can contain one or more single products. When placing an order, for the quantity please enter single or multiples of a shipping unit.

Product family datasheet

References / Links

For light distribution curves see

▶ www.osram.com

Disclaimer

Subject to change without notice. Errors and omission excepted. Always make sure to use the most recent release.